

Float Switch Pipe Mounting Bracket Model FS-PBkt

There are two methods of mounting the Series FS 90 float switches: pipe, and cable.

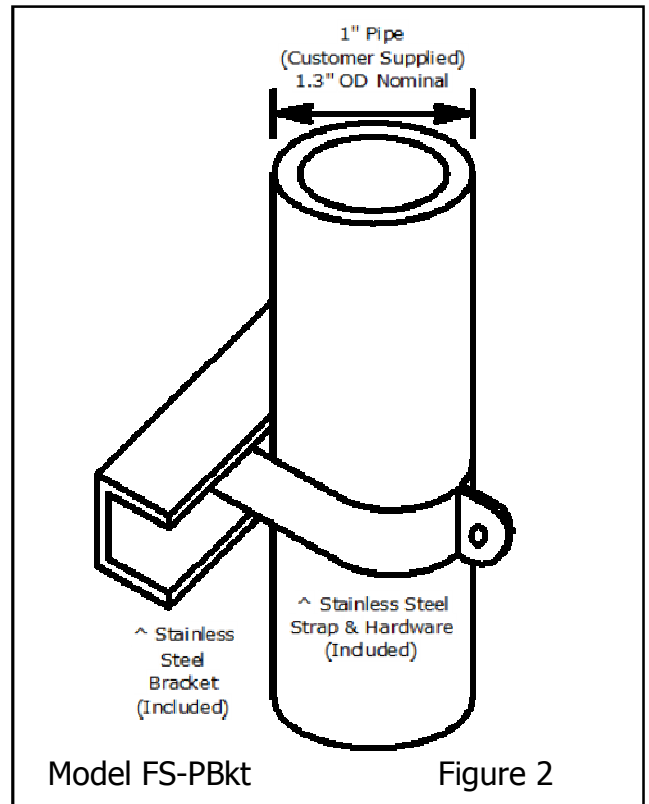
Each float ships with either a cable clip or a pipe clip which is used to fasten the float to its associated pipe or cable. Figure 1 (below) shows a FS 90 float mounted on a vertical pipe by means of the pipe mounting clip.

After the floats are mounted onto the pipe, the pipe is lowered into the sump. The pipe must be securely clamped into position. The FS-PBkt may be used to secure the pipe to the wall.

Contegra's pipe mounting bracket (Model FS-PBkt) is pictured at right (Figure 2). If one end of the pipe is resting in a socket that has been molded into the floor of the sump, a single bracket may secure the top of the pipe.

If the pipe is suspended above the floor of the sump, two brackets may be used.

Contegra recommends that the floats be rotated away from the wall and mounted at a 45° angle. This minimizes float damage due to impacting the wall and allows unobstructed floatation of the float. If adjacent floats are located close to each other, offset them to point in opposite directions; at approximately 90° to each other.



- PN 30023-0001-01** includes:
- 1 - Mounting Channel
 - 1 - Mounting Clamp/Strap (2 pieces)
 - 1 - Screw
 - 1 - Nut
- (All components - Stainless Steel 316)

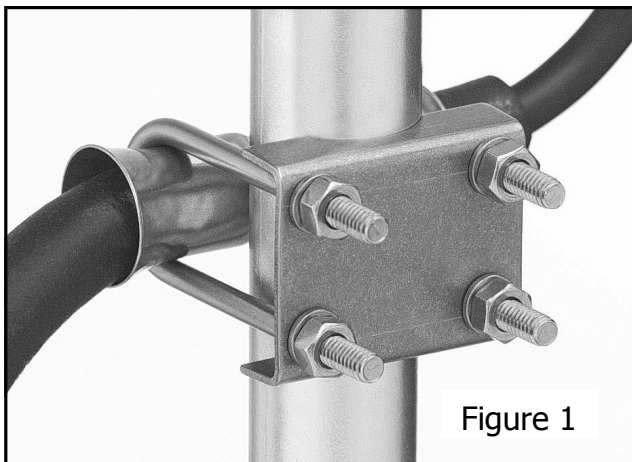


Figure 1

Rear view of float mounted to pipe

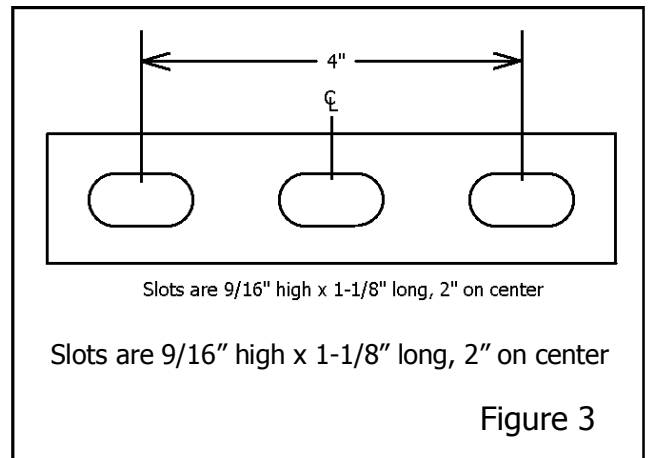


Figure 3

Wall mounting dimensions